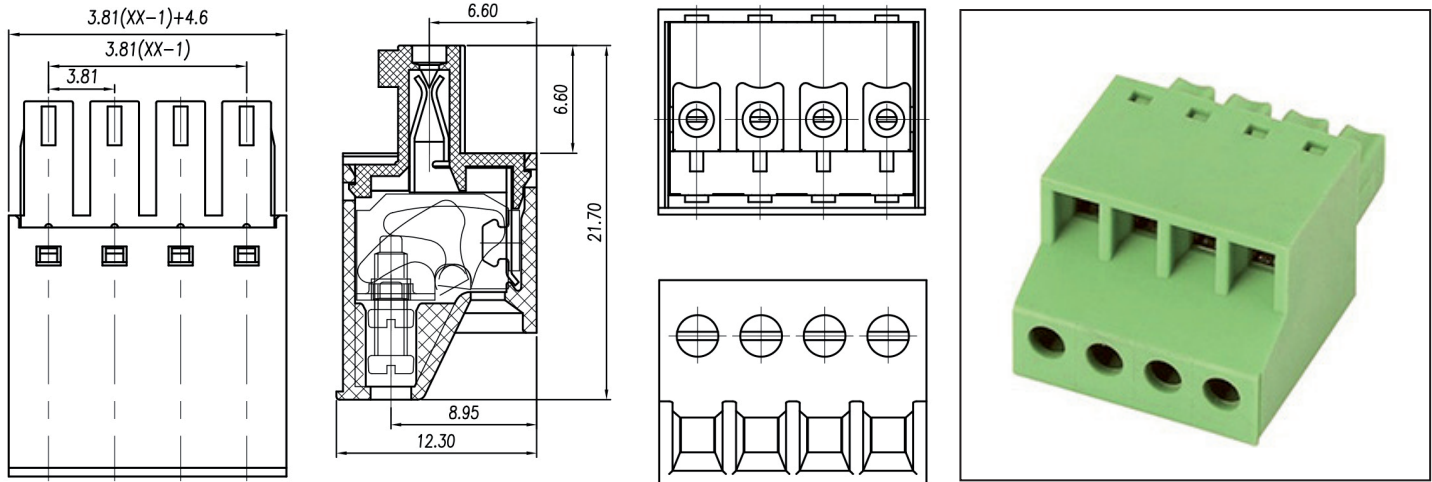


# PCB Terminal Blocks Connector, Front/Top Wire Entry with Screw Clamp Termination ASIWJ15EDGKC-3.81



| Certification                |  |
|------------------------------|--|
|                              | <b>UL</b> <sup>®</sup> <b>US</b>               |
| Material                     |  |
| <b>Screw</b>                 | M2.0 Steel, Tin Plated                         |
| <b>Pin/Plate</b>             | Phosphor Bronze, Nickel Plated                 |
| <b>Cage</b>                  | Brass, Nickel Plated                           |
| <b>Applicator</b>            | Steel, Tin Plated                              |
| <b>Housing</b>               | PA66, UL 94V-0, Green                          |
| Electrical                   |  |
| <b>Standard</b>              | UL 1059/CSA C22.2 No. 158                      |
| <b>Rated Voltage</b>         | 300 V  |
| <b>Rated Current</b>         | 8 A  |
| <b>Wire Range</b>            | 28-16 AWG                                      |
| <b>Contact Resistance</b>    | 20mΩ   |
| <b>Insulation Resistance</b> | 500MΩ/500 Vdc                                  |
| <b>Withstand Voltage</b>     | 2000 Vac/1 Min                                 |
| Mechanical                   |  |
| <b>Temperature Range</b>     | -40°C...+105°C                                 |
| <b>Torque</b>                | 0.2N-m (1.8lb-in)                              |
| <b>Strip Length</b>          | 6-7 mm (0.24-0.28")                            |
| Size                         |  |
| <b>Pitch</b>                 | 3.81 mm (.150")                                |
| <b>Poles</b>                 | 2P-16P. Additional sizes available on request. |

| Item                  | No. of Poles | Length (mm) |
|-----------------------|--------------|-------------|
| ASIWJ15EDGKC-3.81-2P  | 2            | 8.41        |
| ASIWJ15EDGKC-3.81-3P  | 3            | 12.22       |
| ASIWJ15EDGKC-3.81-4P  | 4            | 16.03       |
| ASIWJ15EDGKC-3.81-5P  | 5            | 19.84       |
| ASIWJ15EDGKC-3.81-6P  | 6            | 23.65       |
| ASIWJ15EDGKC-3.81-7P  | 7            | 27.46       |
| ASIWJ15EDGKC-3.81-8P  | 8            | 31.27       |
| ASIWJ15EDGKC-3.81-9P  | 9            | 35.08       |
| ASIWJ15EDGKC-3.81-10P | 10           | 38.89       |
| ASIWJ15EDGKC-3.81-11P | 11           | 42.7        |
| ASIWJ15EDGKC-3.81-12P | 12           | 46.51       |
| ASIWJ15EDGKC-3.81-13P | 13           | 50.32       |
| ASIWJ15EDGKC-3.81-14P | 14           | 54.13       |
| ASIWJ15EDGKC-3.81-15P | 15           | 57.94       |
| ASIWJ15EDGKC-3.81-16P | 16           | 61.75       |